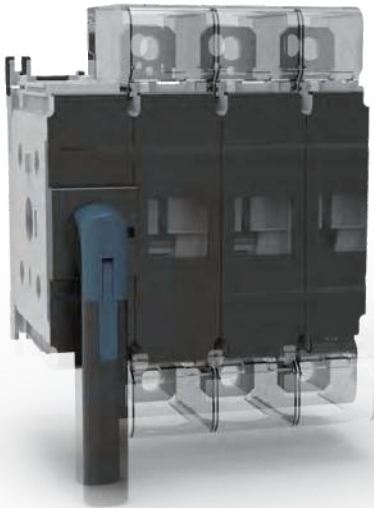




DSA DC Disconnecter



Product Benefits

Easy to install

- Wiring: Switch is non-polarized, all types of wiring and connections are possible.
- Easy access without tools, and auxiliary contacts can be integrated without tools.
- The mechanical device can be centered to meet the installation requirements.

Safe reliable operation

- Reliable position indicator through visible contacts.
- The opening and closing of the switch is fully independent from the speed of operation, ensuring safe operation under all conditions.
- High temperature withstand: no derating up to 55C(131F),functional from -40 to+122F(-40 to +50°C).

Designed for harsh environments

- Vibration testing (from 13.2 to 100 Hz at 0.7 g).
- Choc testing (15 g during three cycles).
- Humid temperature testing (2 cycles, 55C/131F with 95% humidity level).
- Salt mist testing(3 cycles with humidity storage, 40C/104F, 93% humidity after each cycle).

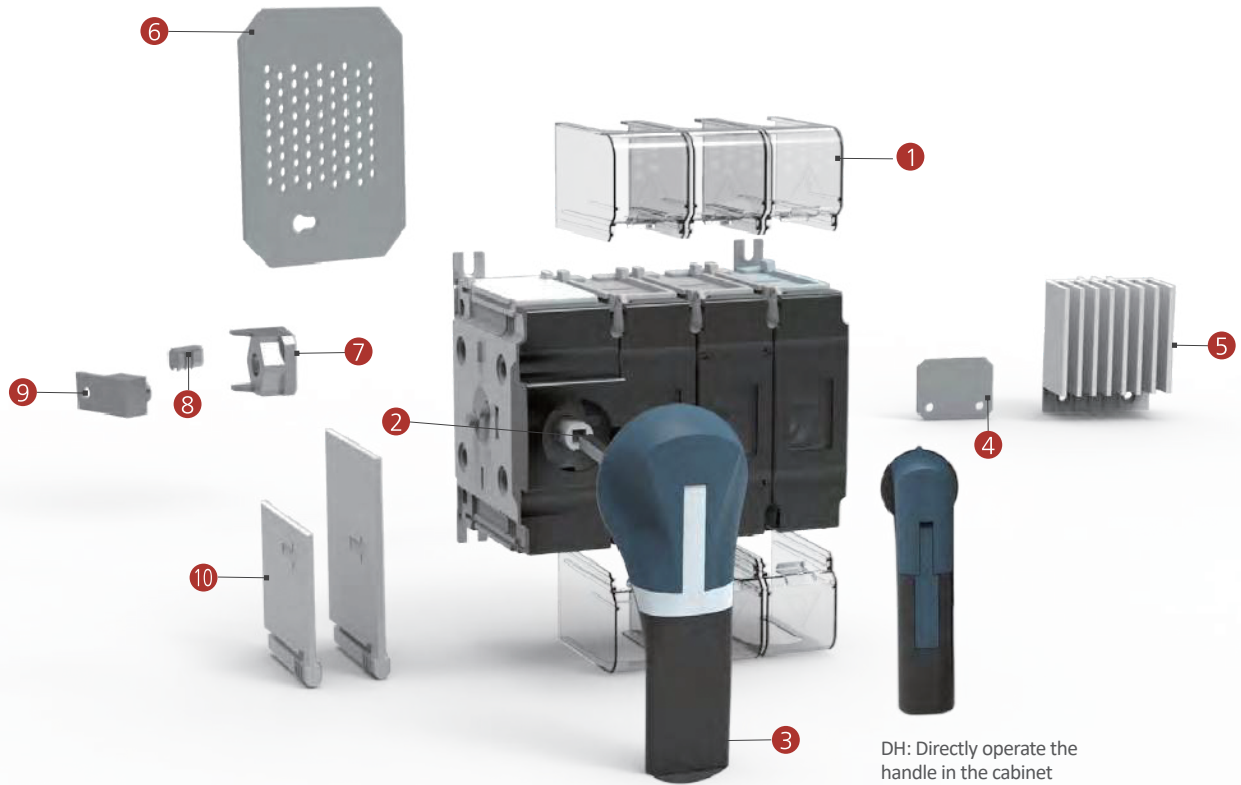
Select Code

Code	Name	Description
1	High voltage DC disconnecter	DSA
2	Rated Voltage	LV=1000Vdc HV=1500Vdc
3	Installation method	DH: Directly operate the handle in the cabinet OH: Outside handle
4	Rated current	160A, 250A, 315A, 400A 630A, 800A
5	With lock	L: With lock Nil: Without lock
6	Poles	02, 04, 22, 23, 33*
7	PV ₁ /PV ₂	Nil: DC-PV ₁ P: DC-PV ₂

* Note:The first digit represents the number on the left side of the operating mechanism, and the last digit represents the number on the right side of the operating mechanism



Appearance Introduction



DH: Directly operate the handle in the cabinet

OH: outside handle

- | | |
|-------------------------------|-----------------------------|
| ① Terminal protection | ⑥ Terminal protection cover |
| ② Extension rod | ⑦ Casing nut |
| ③ Operate the handle directly | ⑧ Fixed plug-in |
| ④ Bridge row | ⑨ Terminal Connector |
| ⑤ Bridge row | ⑩ Arc spacer |



Technical Data



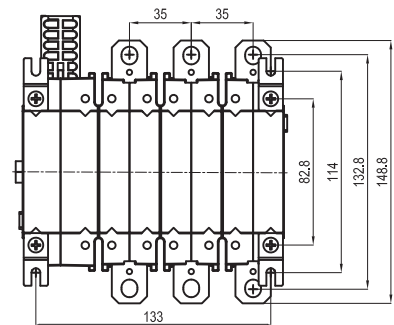
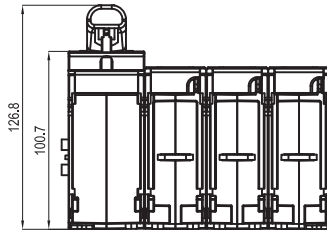
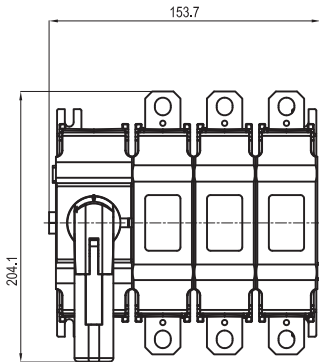
According to EN60947-3, AS/NZS 60947-3

Rated current				160A	250A	315A	400A	630A	800A
Frame size				DSA-315			DSA-600		
Thermal Current at 40°C (A)				160	250	315	400	630	800
Thermal current at 50°C (A)				160	250	315	400	630	760
Thermal current at 60°C (A)				160	250	315	400	570	685
Rated insulation voltage (Ui)				1500	1500	1500	1500	1500	1500
Rated impulse withstand voltage Uimp (KV)				12	12	12	12	12	12
code	Number of poles	Rated voltage	Utilisation category	Ie(A)	Ie(A)	Ie(A)	Ie(A)	Ie(A)	Ie(A)
DSN	2P(1P+,1P-)	1000VDC	DC-PV1/DC-21B	160	250	315	400	630	800
DST	2P(1P+,1P-)	1500VDC	DC-PV1/DC-21B	100	160	250	315	400	630
DST	3P(2P+,1P-)	1500VDC	DC-PV1/DC-21B	-	-	315	-	-	800
	Number of poles	Rated voltage	Utilisation category	Ie(A)	Ie(A)	Ie(A)	Ie(A)	Ie(A)	Ie(A)
DSN	2P(1P+,1P-)	1000VDC	DC-PV2	160	250	315	400	630	800
DST	2P(1P+,1P-)	1500VDC	DC-PV2	100	160	250	315	400	630
DST	3P(2P+,1P-)	1500VDC	DC-PV2	-	-	315	-	-	800
The short-circuit capacity is between 1000 and 1500VDC (no protection)				5	5	5	8	8	8
Rated short time withstand current Icw 1s (KA eff)									
Rated short-circuit making capacity Icm(kA peak)- 60 ms				10	10	10	10	10	10
Connection									
Recommended Cu rigid cable cross-section(mm2)				70	120	185	240	2x185	2x240
Recommended Cu busbar width(mm2)				20	20	20	25	25	25
Mechanical characteristics									
Durability (number of operating cycles)				8000	8000	8000	8000	8000	8000
Number of tripping operations				1000	1000	1000	1000	1000	1000



Dimensions

DSA-315



DSA-600

